

FLENDER COUPLINGS

ZAPEX

Operating instructions 3561 en
Edition 01/2019

ZNW



FLENDER COUPLINGS

ZAPEX 3561 en

Operating instructions

Translation of the original operating instructions

ZNW

Edition 01/2019

Technical data

1

Notes

2

Fitting

3

Start-up
and operation

4

Faults, causes
and remedy

5

Maintenance
and repair

6

Stocking spare parts

7

Declarations

8



Legal notes

Warning note concept

This manual comprises notes which must be observed for your personal safety and for preventing material damage. Notes for your personal safety are marked with a warning triangle or an "Ex" symbol (when applying Directive 2014/34/EU), those only for preventing material damage with a "STOP" sign.



WARNING! Imminent explosion!

The notes indicated by this symbol are given to prevent **explosion damage**. Disregarding these notes may result in serious injury or death.



WARNING! Imminent personal injury!

The notes indicated by this symbol are given to prevent **personal injury**. Disregarding these notes may result in serious injury or death.



WARNING! Imminent damage to the product!

The notes indicated by this symbol are given to prevent **damage to the product**. Disregarding these notes may result in material damage.



NOTE!

The notes indicated by this symbol must be treated as general **operating information**. Disregarding these notes may result in undesirable results or conditions.



WARNING! Hot surfaces!

The notes indicated by this symbol are made to prevent **risk of burns due to hot surfaces** and must always be observed. Disregarding these notes may result in light or serious injury.

Where there is more than one hazard, the warning note for whichever hazard is the most serious is always used. If in a warning note a warning triangle is used to warn of possible personal injury, a warning of material damage may be added to the same warning note.

Qualified personnel

The product/system to which this documentation relates may be handled only by **persons qualified** for the work concerned and in accordance with the documentation relating to the work concerned, particularly the safety and warning notes contained in those documents.

Qualified personnel must be specially trained and have the experience necessary to recognise risks associated with these products and to avoid possible hazards.

Proper use of Flender products

Observe also the following:



Flender products must be used only for the applications provided for in the catalogue and the relevant technical documentation. If products and components of other makes are used, they must be recommended or approved by Flender. The faultfree, safe operation of the products calls for proper transport, proper storage, erection, assembly, installation, start-up, operation and maintenance. The permissible ambient conditions must be adhered to. Notes in the relevant documentations must be observed.

Trade marks

All designations to which the registered industrial property mark ® is appended are registered trademarks of Flender GmbH. Other designations used in this document may be trademarks the use of which by third parties for their own purposes may infringe holders' rights.

Exclusion of liability

We have checked the content of the document for compliance with the hard- and software described. Nevertheless, variances may occur, and so we can offer no warranty for complete agreement. The information given in this document is regularly checked, and any necessary corrections are included in subsequent editions.

Explanation regarding Machinery Directive 2006/42/EC

The couplings described here are "components" in accordance with the Machinery Directive and do not require a declaration of incorporation.

Contents

1.	Technical data	7
1.1	Torques, speeds, geometric data and weights	7
1.2	O-rings (12)	8
2.	Notes	9
2.1	Safety instructions and general notes	9
2.2	Marking of the coupling parts for use in potentially explosive zones	10
2.3	Service conditions	10
3.	Fitting	11
3.1	Machining the finished bore	11
3.2	Machining the parallel keyway	11
3.3	Axial fastening	11
3.4	Balancing after machining the finished bore	13
3.5	Placing the coupling parts (1; 3) in case of shaft-hub connection with parallel key	13
3.6	Fitting of coupling parts (1; 3) in case of a cylindrical and tapered interference fit set up for removal by oil-hydraulic shrinking-off	14
3.7	Installation of the coupling	14
3.8	Alignment	15
3.9	Possible misalignments	16
3.9.1	Axial misalignment	16
3.9.2	Angular misalignment	16
3.9.3	Radial misalignment	16
3.10	Distance between teeth VA and recommended alignment values for angular and radial misalignment	17
3.11	Distance dimensions "S"	17
3.12	Assignment of the tightening torques and wrench widths	18
4.	Start-up and operation	18
4.1	Requirements for grease	18
4.2	Recommended lubricants	19
4.3	Grease quantity	19
4.4	Procedure before start-up	20
5.	Faults, causes and remedy	20
5.1	Possible cause of fault	20
5.2	Incorrect use	20
5.2.1	Frequent faults when selecting the coupling and/or coupling size	20
5.2.2	Frequent faults when fitting the coupling	21
5.2.3	Frequent faults in maintenance	21

6.	Maintenance and repair	22
6.1	General	22
6.2	Changing grease	22
6.3	Replacing O-rings	22
6.4	Demounting the coupling	23
6.5	Demounting the coupling parts (1; 3) in case of shaft-hub connection with parallel key	23
6.6	Demounting the coupling parts (1; 3) in case of cylindrical and tapered interference fit set up for oil-hydraulic shrinking-off	23
6.6.1	Demounting the coupling parts (1; 3) in case of cylindrical interference fit	24
6.6.2	Demounting the coupling parts (1; 3) in case of tapered interference fit	25
7.	Stocking spare parts	26
7.1	Spare parts	26
8.	Declarations	27
8.1	EU declaration of conformity	27

1. Technical data

The instructions describe the coupling with shaft-hub connection by cylindrical or conical bore with parallel key or for removal by oil-hydraulic shrinking-off. If different shaft-hub connections are to be used, such as drive-type parallel-key connection, splines to DIN 5480, Flender should be consulted.

In order to compensate for radial misalignment, it is always necessary to use coupling 1, intermediate shaft (4) and coupling 2.

The coupling described below may be used in potentially explosible areas. The couplings must have a CE marking (for marking, see item 2.2).



Couplings which do not have a CE marking must not be used in potentially explosive areas.

If a dimensioned drawing has been made out for the coupling, the data in this drawing must be given priority. The dimensioned drawing including any other documents should be made available to the user of the system.

For part numbers and part designations, see the corresponding spare-parts drawing in section 7 or the dimensioned drawing.

1.1 Torques, speeds, geometric data and weights

Type ZNW is built in version A (S10) and version B (S4) only. The distance dimensions S10 and S4 will be found in section 3., item 3.11.

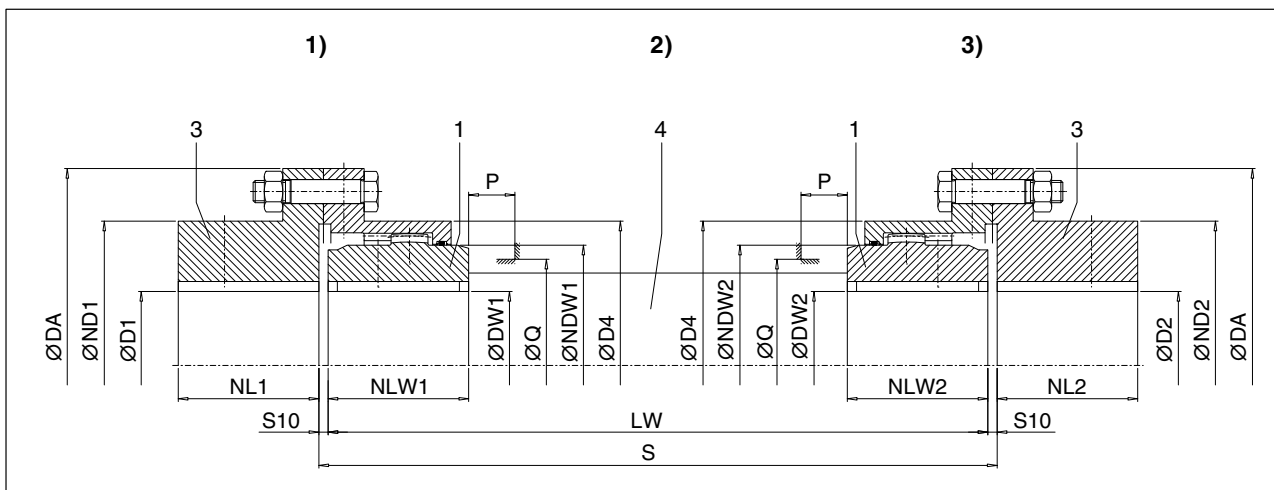


Fig. 1: Type ZNW, version A

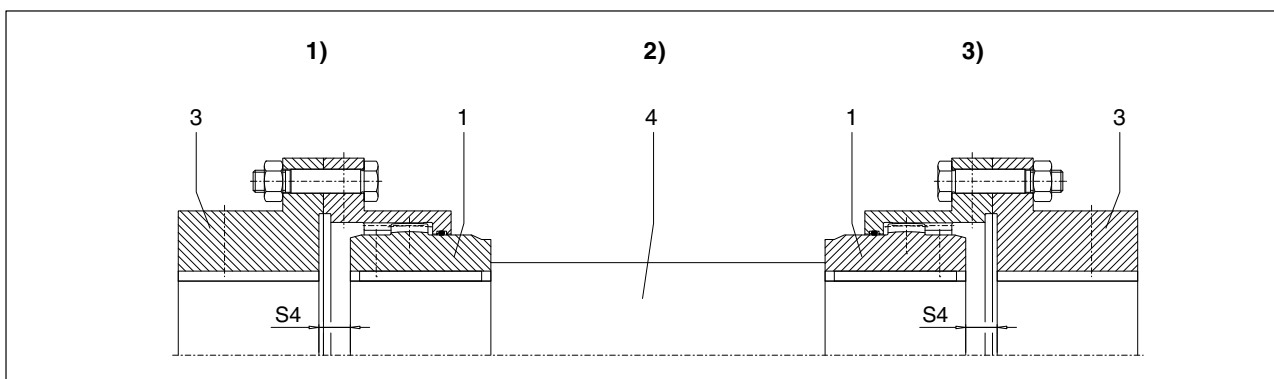


Fig. 2: Type ZNW, version B

1) Coupling 1

2) Floating shaft

3) Coupling 2

Table 1: Torques, speeds, geometric data and weights

Size	Rated torque T_N 1) Nm	Speed n_{max} 1/min	Hole D1 / D2		DA mm	ND1 ND2 mm	NL1 NL2 NLW1 NLW2 mm	Hole DW1 / DW2		NDW1 NDW2 mm	D4 mm	Q 4) mm	P 4) mm	Weight 5) kg
			min. mm	max. 3) mm				min. mm	max. 3) mm					
83	1020	2)	0	61	117	83	43	0	50	67	83	52	31	3.1
107	2210		0	79	152	107	50	0	65	87	107	68	34	6.2
130	4020		0	96	178	129.5	62	0	82	108	129.5	85	42	9.5
156	6600		0	116	213	156	76	0	100	130	156	110	47	17
181	11000		0	134	240	181	90	0	116	153	181	130	58	24.5
211	19200		0	156	280	211	105	0	137	180	211	150	67	41
250	30680		0	184	318	249.5	120	0	164	214	249.5	175	72	58
274	43550		80	202	347	274	135	80	178	233	274	190	81	76
307	61750		90	228	390	307	150	90	198	260	307	220	91	110
333	87100		100	247	425.5	332.5	175	100	216	283	332.5	250	104	150
364	117000		120	270	457	364	190	120	242	312	364	265	126	170
424	162500		150	313	527	423.5	220	150	288	371	423.5	300	140	270

- 1) The specified torques relate to the teeth and **not** to the shaft-hub connection. This must be checked separately.
- 2) The maximum operational speed of rotation is limited by the weight and the critical speed. Operating speed n_{max} on request.
- 3) Maximum bore with keyway to DIN 6885/1.
- 4) Space required for aligning the coupling parts, replacing the sealing rings and tightening the set screws.
- 5) Weight values apply to coupling 1 or 2 with maximum bores, without floating shaft (4).

1.2 O-rings (12)

- O-rings may be stored for up to 5 years.
- O-rings must be protected against direct sunlight, artificial light with a ultraviolet content and extreme temperatures.
- O-rings must not come into contact with aggressive media.
- O-Rings must not be heated up to more than 80 °C during fitting work.



The O-rings (12) must not be stored while still fastened on the coupling part (1/2).

2. Notes

2.1 Safety instructions and general notes



All persons involved in the installation, operation, maintenance and repair of the coupling or clutch must have read and understood these instructions and must comply with them at all times. Disregarding these instructions may cause damage to the product and material and/or injury to persons. Damage caused by disregard of these instructions will result in exclusion of liability.

During transport, installation, dismantling, operation and maintenance of the unit, the relevant safety and environmental regulations must be complied with at all times.



Lifting gears and load equipment for handling the components must be suitable for the weight of the coupling.

Depending on national regulations, coupling and clutch components may have to be disposed of separately or separated for recycling.

The coupling must be stored in a dry environment. Adequate preservation must be carried out.

Operators and users must not make any changes to the coupling themselves over and above the treatment specified in these instructions.



If there is any visible damage the coupling or clutch must not be fitted or put into operation!

The coupling must not be operated unless housed in a suitable enclosure in accordance with the standards applying. This also applies to test runs and when checking the direction of rotation.

All work on the coupling must be carried out only when it is at a standstill. Secure the drive unit to prevent unintentional switch-on! A notice should be attached to the ON switch stating clearly that work is in progress.

In addition to any generally prescribed personal safety equipment (such as safety shoes, safety clothing, helmet) **suitable safety gloves** and **suitable safety glasses** must be worn when handling the coupling or clutch!

Only spare parts made by the manufacturer Flender must be used.





Any enquiries should be addressed to:


Flender GmbH
Schlavenhorst 100
46395 Bocholt

Tel.: +49 (0)2871 / 92-0
Fax: +49 (0)2871 / 92-2596

2.2 Marking of the coupling parts for use in potentially explosive zones

Couplings which are ordered in ATEX-configuration, have the following marking on the flanged sleeve (5):

Flender GmbH			II 2G Ex h IIC T6 ... T5 Gb X
D 46393 Bocholt			II 2D Ex h IIIC T85 °C ... 100 °C Db X
ZAPEX <year built>			I M2 Ex h Mb X

The second flanged sleeve (5), the coupling parts (1; 3) and the floating shaft (4) bear the marking  stamped on.

If, in addition to the CE mark, the letter "U" together with the Flender order number has been stamped on, the coupling part has been delivered by Flender un- or prebored.



Flender supplies unbored and prebored couplings with CE marking only under the condition that the customer assumes the responsibility and liability for correct refinishing in a declaration of exemption.

2.3 Service conditions

The coupling is suited for service conditions in accordance with Directive 2014/34/EU:

- Equipment group II (use above ground) of categories 2 and 3 for areas where there are explosible gas, vapour, mist, air mixtures as well as for areas where dust can form explosible atmospheres.
- Equipment group I (underground applications) of the category M2.
- Ambient temperature -20 °C up to +40 °C



If they are to be used below ground in potentially explosive areas the couplings must only be used with drive motors, which can be switched off on occurring of an explosible atmosphere.

The machines connected by the coupling must be earthed by a earth leakage resistance <math>< 10^6 \Omega</math>.

If coated couplings are used in potentially explosive areas, the requirements made of the conductivity of the coating and the limitation on the thickness of the coat applied must be observed in accordance with DIN EN 80079-36. Where lacquer coatings have a thickness <math>< 200 \mu\text{m}</math>, no electrostatic charge is to be expected.

3. Fitting

Coupling parts (1; 3) for removal by oil-hydraulic shrinking-off are delivered in a finish-machined state according to the order placed,

3.1 Machining the finished bore

Depreserve and clean coupling parts (1, 3).

Clamp as shown in figure 3 and align.



Never clamp on the sealing surface of the O-ring.

Machine the finished bore, observe maximum bore described in section 1.

Check finished bore as described in section 3.

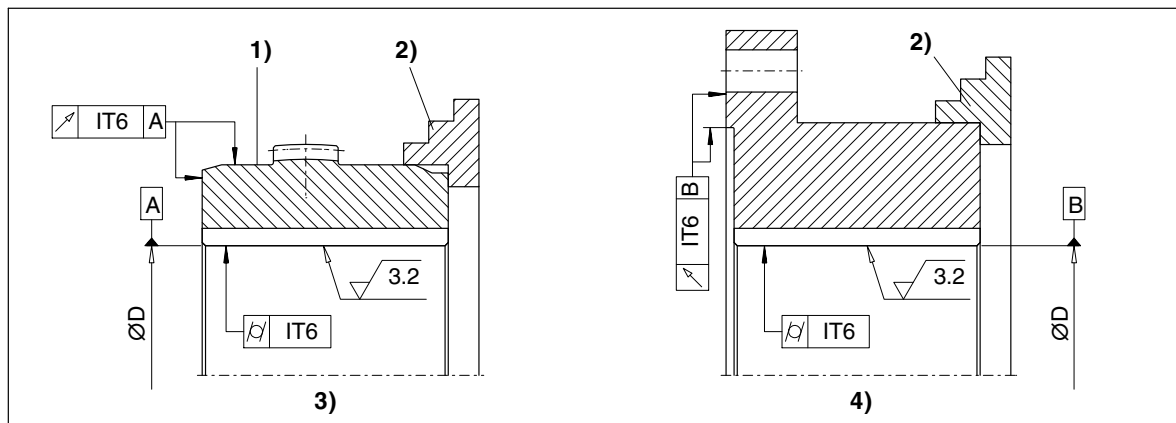


Fig. 3: Machining the finished bore

1) Sealing surface

2) Chuck

3) Coupling part 1

4) Coupling part 3

Table 2: Recommendation

Description	Interference fit with parallel-key connection, suitable for reversing operation					
Shaft tolerance	h6	k6	m6	n6	p6	s6
Bore tolerance	P7	M7	K7	J7	H7	F7



**Failure to observe these instructions may result in breakage of the coupling.
Danger from flying fragments!
The coupling may then become an explosion hazard.**

3.2 Machining the parallel keyway

- Parallel keyway to DIN 6885/1 **ISO P9** with **one keyway**.
- Parallel keyway to DIN 6885/1 **ISO JS9** with **two keyways**.

3.3 Axial fastening

Arrange set screw on the parallel keyway.

Position of the set screw to table 3, thereby considering the version A or B for the coupling parts (1).

Use threaded studs to DIN 916 with cup points as set screws (set-screw size to table 3).

The set screw should use the thread as much as possible.

Alternatively use end plate; as regards recess contact Flender.

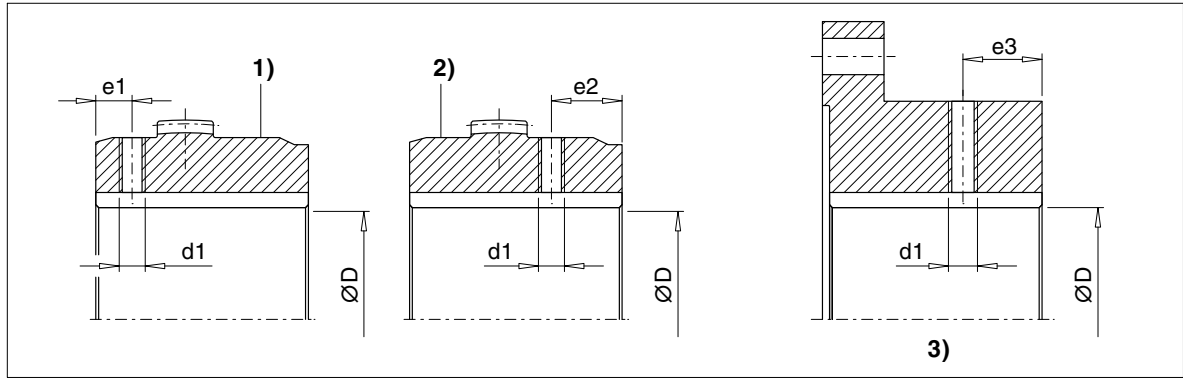


Fig. 4: Position of the set screw

- 1) Coupling part 1, sealing surface in case of version B
- 2) Coupling part 1, sealing surface in case of version A
- 3) Coupling part 3

Table 3: Set-screw assignment, set-screw position and tightening torques

Size	Bore D		d1 mm	Tightening torque T _A Nm	Wrench width Hexagon socket mm	e1 mm	e2 mm	e3 mm
	Part 1 mm	Part 3 mm						
83	10 ... 17	10 ... 17	M 5	3	2.5	7	16	15
	> 17 ... 50	> 17 ... 61	M 6	4	3			
107	10 ... 17	10 ... 17	M 5	3	2.5	10	16	15
	> 17 ... 65	> 17 ... 79	M 6	4	3			
130	10 ... 17	10 ... 17	M 5	3	2.5	10	24	20
	> 17 ... 38	> 17 ... 38	M 6	4	3			
	> 38 ... 82	> 38 ... 96	M 8	8	4			
156	10 ... 17	10 ... 17	M 5	3	2.5	15	27	30
	> 17 ... 22	> 17 ... 22	M 6	4	3			
	> 22 ... 100	> 22 ... 116	M 8	8	4			
181	10 ... 17	10 ... 17	M 5	3	2.5	16	30	40
	> 17 ... 22	> 17 ... 22	M 6	4	3			
	> 22 ... 30	> 22 ... 30	M 8	8	4			
	> 30 ... 65	> 30 ... 65	M10	15	5			
	> 65 ... 116	> 65 ... 134	M12	25	6			
211	10 ... 17	10 ... 17	M 5	3	2.5	18	35	40
	> 17 ... 22	> 17 ... 22	M 6	4	3			
	> 22 ... 30	> 22 ... 30	M 8	8	4			
	> 30 ... 38	> 30 ... 38	M10	15	5			
	> 38 ... 137	> 38 ... 156	M12	25	6			
250	10 ... 17	10 ... 17	M 5	3	2.5	22	40	50
	> 17 ... 22	> 17 ... 22	M 6	4	3			
	> 22 ... 30	> 22 ... 30	M 8	8	4			
	> 30 ... 38	> 30 ... 38	M10	15	5			
	> 38 ... 50	> 38 ... 50	M12	25	6			
	> 50 ... 164	> 50 ... 184	M16	70	8			
274	80 ... 178	80 ... 202	M16	70	8	25	46	55
307	90 ... 198	90 ... 228	M16	70	8	30	54	60
333	100 ... 216	100 ... 247	M16	70	8	30	61	70
364	120 ... 242	120 ... 270	M20	130	10	30	50	85
424	150 ... 288	150 ... 313	M24	230	12	30	50	100

Tightening torques apply to bolts with untreated surfaces which are not or only lightly oiled (coefficient of friction $\mu = 0.14$). The use of lubricant paint or lubricant, which affects the coefficient of friction " μ ", is not permitted.

The specified tightening torques T_A must be complied with, applying DIN 25202 Screw-Connection Class "C", with an output-torque scatter of $\pm 5\%$.

3.4 Balancing after machining the finished bore

The balancing quality is to be specified in accordance with the specific application (however min. G16 to DIN ISO 21940).

Balancing prescription to DIN ISO 21940-32 of the shaft must be observed.



Balancing bores must not affect the load-bearing capacity of the coupling parts.

The balancing bores must be applied on a large radius with sufficient distance to the hub's circumference.



The teeth of the coupling parts 1 (1) and the fitting holes in the flange of the coupling parts 3 (3) must not under any circumstances be damaged.

3.5 Placing the coupling parts (1; 3) in case of shaft-hub connection with parallel key

Unscrew the set screw.

Clean the holes and shaft ends.

Grease the cleaned flanged-sleeve grooves and then insert the O-rings (12).

Grease the teeth of the flanged sleeves (5) and shift the flanged sleeves (5) onto the floating shaft (4) before pulling the coupling parts (1) on.

Coat the bores of the coupling parts (1; 3) and the shafts with MoS₂ mounting paste (e.g. Microgleit LP 405).



Coupling parts (1; 3) with tapered bore and parallel-key connection must be fitted in cold condition.

Place the coupling parts (1; 3), in case of cylindrical bore heat up to max. + 80 °C, if necessary.



Heated coupling parts form an explosion hazard, therefore there must not be an explosible atmosphere when fitting the coupling parts.

Before fitting the coupling parts (1; 3) smear the parallel keyway in the area of the set-screw bore with sealing compound.

Shafts must not project from the inner sides of the hub.



The coupling parts (1; 3) with a tapered bore must be secured with suitable end plates. For this, smear the hub end face with sealing compound and screw on the end plate.

On coupling parts (1; 3) with keyway and set screw the threaded hole for the set screw must be filled 2/3 with sealing compound after cooling down to room temperature to prevent lubricant from escaping through the parallel keyway. Screw in the set screw (set screw must be above the parallel key).

Tighten the set screw (for tightening torques, see table 3).



**Failure to observe these instructions may result in breakage of the coupling.
Danger from flying fragments!
The coupling then becomes an explosion hazard.**

- 3.6 Fitting of coupling parts (1; 3) in case of a cylindrical and tapered interference fit set up for removal by oil-hydraulic shrinking-off



The information specified on the dimensioned drawing should be observed with priority.

Unscrew screw plugs (22) from the coupling parts (1; 3). Clean and dry holes and shaft ends. The oil channels and oil-circulation grooves must also be free from dirt.



The machine shaft and the bore of the coupling part must be absolutely clean and free of grease and oil!

Grease the cleaned flanged-sleeve grooves and then insert the O-rings (12).

Grease the teeth of the flanged sleeves (5) and shift the flanged sleeves (5) onto the floating shaft (4) before pulling the coupling parts (1) on.



**Protect O-rings (12) and seals for the input and output side against damage and heating to above + 80 °C.
(Use heat shields to protect against radiant heat.)**

The coupling parts (1; 3) must be fitted in hot condition and, depending on the shrink dimension, heated to the temperature indicated on the dimensioned drawing.

Heating may be done inductively, in a stove or with a burner.



Burner an heated coupling parts form an explosion hazard, therefor there must not be an explosible atmosphere when fitting the coupling parts.

Before fitting, the bore size of the heated coupling parts (1; 3) must be checked, e.g. with a bore-hole gauge.

The coupling parts (1; 3) should be pushed smartly onto the shaft as far as specified in the dimensioned drawing.



The coupling parts (1; 3) must be held in position on the shaft with the aid of a suitable retaining device, until they cool down and seat firmly.

After the coupling parts (1; 3) have cooled down to ambient temperature the oil channels must be filled with clean forcing oil, e.g. ISO VG 150, and re-sealed with the screw plugs (22) (rust protection).



**Failure to observe these instructions may result in breakage of the coupling.
Danger from flying fragments!
The coupling then becomes an explosion hazard.**

- 3.7 Installation of the coupling

To minimise running-in wear, coat the teeth of the coupling parts (1) and the flanged sleeves (5) with a lubricant paint (e. g. Castrol Opticoating N).

Oil the sealing surfaces on the circumference of the hub of the coupling parts (1/2).

Fit the flanged sleeves (5) using suitable tools on the hub and over the teeth of the coupling parts 1 (1) in such a manner that the flanged sleeves (5) do not project beyond the hub or shaft end face. Retain and/or support the flanged sleeves (5).

Move together the machines to be coupled. Note dimension "S" (see item 3.10). Align the coupling as described in items 3.8 to 3.10.

Position the floating shaft (4) with the fitted coupling parts 1 (1) and the fitted flanged sleeves (5) between the coupling parts 3 (3), using suitable lifting gear.

Smear the sealing surfaces of the flanged sleeves (5) and the coupling parts 3 (3) with sealing compound. Align the fitting holes of the flanges, noting any marks. Insert close-fitting bolts (8) and tighten the nuts (9) (for tightening torques, see item 3.12).

3.8 Alignment

To obtain the longest possible service life for the coupling, we recommend alignment with 20 % of the offsets possible in operation specified in item 3.9. The recommended alignment values in numerical values are specified in item 3.10. Very precise alignment must not be aimed at, as this will impair the formation of the lubricant film in the coupling teeth.

Alignment must be carried out using suitable measuring instruments. The following diagram shows alignment suggestions and points of alignment ($\square A$).



Flender recommendation:

To prevent measuring errors caused by sagging of the clock gauge, it is recommended that the coupling be aligned using laser technology.

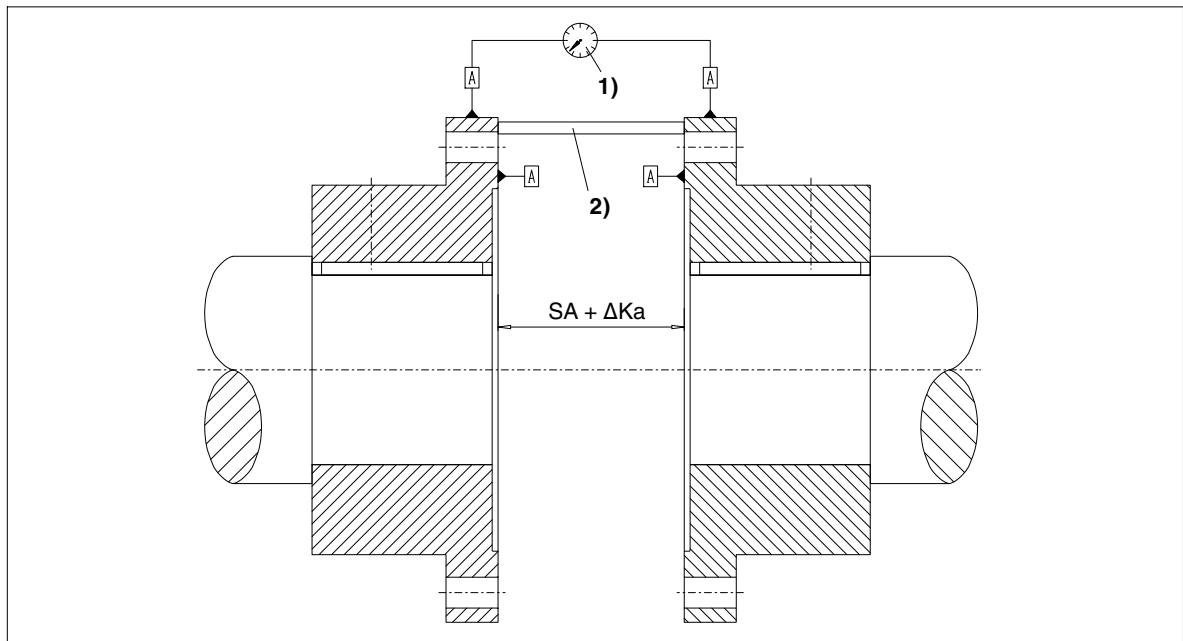


Fig. 5: Alignment

1) Dial gauge

2) Measurement of distance

3.9 Possible misalignments

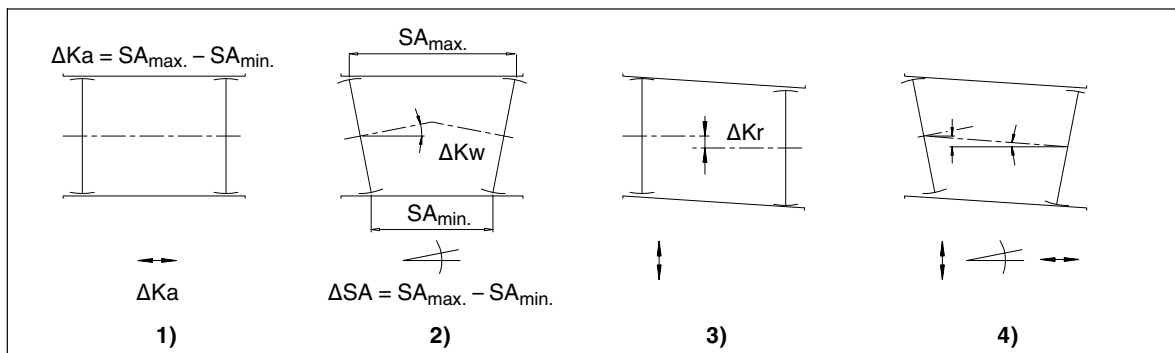


Fig. 6: Possible misalignments

- 1) Axial misalignment (ΔK_a)
- 2) Angular misalignment (ΔK_w)
- 3) Radial misalignment (ΔK_r)
- 4) Axial misalignment, angular misalignment and radial misalignment

3.9.1 Axial misalignment

Axial misalignment ΔK_a of the coupling parts relative to one another is permissible within the "permissible deviation" for dimension "SA" (see item 3.10).

The permissible deviation for dimension "SA" is specified as the maximum permissible increase in the hub distance of the coupling.

3.9.2 Angular misalignment

Type ZNW compensates for positional misalignment of up to a maximum angular misalignment of $\Delta K_w = 0.5^\circ$ in the shaft ends to be connected.

The angular misalignment ΔK_w can be measured as difference of the gap dimension ($\Delta SA = SA_{max} - SA_{min}$).

$$\Delta SA = SA_{max} - SA_{min} \leq ND \times \tan 0.5^\circ \approx ND / 100$$

Replace ND with ND1 or ND2 from section 1.

3.9.3 Radial misalignment

On type ZNW, the maximum possible radial misalignment $\Delta K_{r_{max}}$ corresponds to an angular misalignment per coupling half of $\Delta K_{w_{max}} = 0.5^\circ$.

$$\Delta K_r \leq VA8 \times \tan 0.5^\circ \approx VA8 / 100$$



Angular and radial misalignment can occur simultaneously. The following condition must be adhered to:

$$\arctan (\Delta K_r / VA8) + \Delta K_w \leq 0.5^\circ$$

3.10 Distance between teeth VA and recommended alignment values for angular and radial misalignment

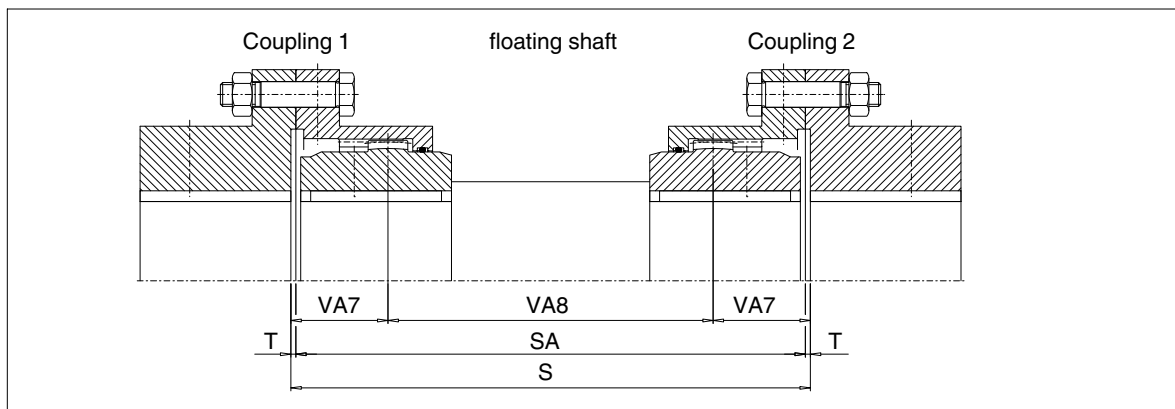


Fig. 7: Possible misalignments

Table 4: Distance between teeth, recommended alignment values for angular and radial misalignment

Size	Distance between teeth	Radial misalignment ΔKr	Angular misalignment ΔSA	Axial misalignment ΔKa		T mm
	VA7 mm	VA8 mm	1) mm	SA mm	perm. deviation mm	
83	29	$\Delta Kr = VA8 \times \tan 0.1^\circ$ $VA8 = S - 2 \times VA7$ (S unknown)	0.2	$SA = S - 2 \times T$ (S unknown)	+ 1	1.5
107	31		0.26		+ 1	1.5
130	41		0.31		+ 1	1.5
156	49		0.37		+ 1	2.5
181	57		0.41		+ 1	2.5
211	67		0.48		+ 1	3
250	75		0.55		+ 1	3
274	86		0.6		+ 1.5	4
307	95		0.68		+ 1.5	4
333	111		0.74		+ 1.5	4
364	122		0.79		+ 1.5	4
424	136.5		0.91		+ 1.5	5

1) Measured on d_a in accordance with table 1

3.11 Distance dimensions "S"

Table 5: Distance dimensions "S₄" and "S₁₀"

Size	S ₁₀ mm	S ₄ mm	perm. deviation S ₄ , S ₁₀ mm	Size	S ₁₀ mm	S ₄ mm	perm. deviation S ₄ , S ₁₀ mm
83	3	12	+ 0.5	250	6	24	+ 0.5
107	3	9	+ 0.5	274	8	29	+ 0.75
130	3	17	+ 0.5	307	8	32	+ 0.75
156	5	17	+ 0.5	333	8	39	+ 0.75
181	5	19	+ 0.5	364	8	46	+ 0.75
211	6	23	+ 0.5	424	10	43	+ 0.75

3.12 Assignment of the tightening torques and wrench widths



The use of an impact screwdriver is not permissible!

Tightening torques apply to bolts with untreated surfaces which are not or only lightly oiled (coefficient of friction $\mu = 0.14$). The use of lubricant paint or lubricant, which affects the coefficient of friction " μ ", is not permitted.

The specified tightening torques T_A must be complied with, applying DIN 25202 Screw-Connection Class "C", with an output-torque scatter of $\pm 5\%$.

The tightening torques and wrench widths of the set screws are specified in table 3.

Table 6: Tightening torques and wrench widths of the parts 6 and 9

Size	Tightening torques T_A		Wrench width SW	
	Part no. 6 Nm	Part no. 9 Nm	Hexagon socket wrench Part no. 6 mm	Hexagon wrench Part no. 9 mm
83	2	25	3	13
107	13	49	5	17
130	13	49	5	17
156	13	86	5	19
181	13	86	5	19
211	13	210	5	24
250	13	210	5	24
274	13	210	5	24
307	13	410	5	30
333	13	410	5	30
364	13	410	5	30
424	13	710	5	36

4. Start-up and operation

4.1 Requirements for grease

For ZAPEX couplings of series ZN., only greases containing active agents for increasing corrosion protection and resistance to ageing and for reducing wear in mixed-friction areas are approved.

- Greases must have been manufactured on the base of mineral oil.
- Viscosity class for greases: DIN 51818, NLGI 0, NLGI 00.
- Suitability for sealing rings made of elastomer materials NBR and FPM.
- Compatibility with liquid seals: LOCTITE 5910, 5922









**Lubricants must never be mixed with other substances.
Before mixing different types of lubricants always ask the manufacturer on the compatibility of the lubricants.**

4.2 Recommended lubricants

The following lubricant recommendations apply to the ZAPEX couplings described in these instructions:

Table 7: Lubricants

Lubricant				FLENDER
Liquefied greases	FDP 00	Energrease LS-EP 00	Tribol 3020/1000-00 ◆ Longtime PD 00	FLENDER Hochleistungsfett
Lubricant			Mobil	
Liquefied greases	RENOLIT SO-D 6024	GRAFLOSCON C-SG 500 Plus	Mobilux EP 004	GADUS S2 V220 00

The lubricants are suitable for operating temperatures of between - 20 °C and + 80 °C.

◆ Lubricants with this mark are suitable for operating temperatures of between - 40 °C and + 80 °C.



Observe manufacturer's instructions for handling lubricants!

4.3 Grease quantity



If the grease-filling quantity is not in accordance with the specified quantity, the coupling may become an explosion hazard.

Table 8: Grease quantities

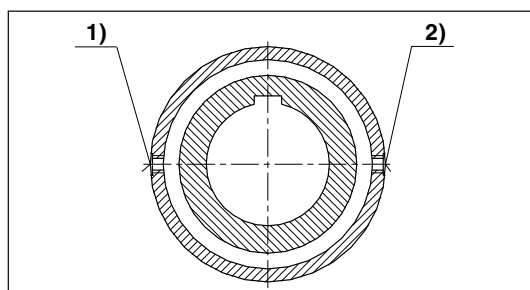
Size	Grease quantity per coupling dm ³	Size	Grease quantity per coupling dm ³	Size	Grease quantity per coupling dm ³
83	0.02	181	0.17	307	0.7
107	0.04	211	0.21	333	0.9
130	0.08	250	0.35	364	1.15
156	0.1	274	0.45	424	1.5

For easier filling, proceed as follows:

Rotate coupling until the screw plugs (6) are in the position shown in figure 8.

The two screw plugs (6) must be removed and grease put in (if necessary, use a grease gun).

Screw in the screw plugs (6) with fitted or integrated sealing rings.



- 1) Filling hole
- 2) Venting hole

Fig. 8: Filling with grease



Any grease spillage must be completely collected and disposed of in accordance with the regulations applying.

4.4 Procedure before start-up



Bolt-tightening torques for the coupling and tightening torques for the foundation bolts of the coupled machine must be checked before start-up. Enclosures (coupling protection, contact guard) must be fitted!

Overload conditions during start-up cannot be excluded. If the coupling breaks through overload, metal parts may fly off and cause personal injury and/or material damage.



If it is to be used below ground in potentially explosive areas, the coupling, which is made of steel, must be provided with a robust casing to preclude the risk of ignition from e.g. friction, impact or friction sparks.

The depositing of heavy metal oxides (rust) on the coupling must be precluded by the casing or other suitable precautions.

The coupling must run with little noise and without vibration. Irregular behaviour must be treated as a fault requiring immediate remedy. In case of fault the drive must be stopped at once. The necessary measures for repair must be taken in accordance with the safety regulations applying.

5. Faults, causes and remedy

5.1 Possible cause of fault

Change in alignment:

- Rectify the cause of the change in alignment (e.g. loose foundation bolts).
- Align the coupling.
- Check the axial fastening and, if necessary, adjust.

Insufficient lubricant:

- Take a small grease sample at the screw plug (6) and check, whether the grease can still be used. If the consistence of the grease has changed, the grease should be changed as described in item 6.2.
- In case of leakage the lost grease quantity must be recharged, or the grease should be changed as described in item 6.2. In case of a complet grease change as described in item 6.2, the sealing rings (12) should also be replaced, as described in item 6.3.

5.2 Incorrect use



Failure to observe these instructions may result in breakage of the coupling. Danger from flying fragments!

Through incorrect use the coupling may become an explosion hazard.

5.2.1 Frequent faults when selecting the coupling and/or coupling size

- Important information for describing the drive and the environment are not communicated.
- System torque too high.
- System speed too high.
- Application factor not correctly selected.
- Chemically aggressive environment not taken into consideration.
- The ambient temperature is not permissible.
- Finished bore with inadmissible diameter and/or inadmissible assigned fits.
- Machining of parallel keyways of which the width across corners is greater than the width across corners of the parallel keyways to DIN 6885/1 with a maximum permissible bore.

- The transmission capacity of the shaft-hub connection is not appropriate to the operating conditions.
- Maximum load or overload conditions are not being taken into consideration.
- Dynamic load conditions are not being taken into consideration.
- Shaft-hub connection resulting in impermissible material stress on the coupling.
- Operating conditions are being changed without authorisation.
- Coupling and machine or drive train form a critical torsional, axial or bending vibration system.
- Fatigue torque load too high.

5.2.2 Frequent faults when fitting the coupling

- Components with transport or other damage are being fitted.
- When fitting coupling parts in a heated condition, sealing rings are being excessively heated.
- The shaft diameter is beyond the specified tolerance range.
- Coupling parts are being interchanged, i.e. their assignment to the specified shaft is incorrect.
- Specified axial fastenings are not fitted.
- Specified tightening torques are not being adhered to.
- Bolts are inserted dry or greased.
- Flange surfaces of screwed connections have not been cleaned.
- Alignment and/or shaft-misalignment values do not match the specifications in the instructions manual.
- The coupled machines are not correctly fastened to the foundation, and as a result shifting of the machines e.g. through loosening of the foundation-screw connection is causing excessive displacement of the coupling parts.
- The coupled machines are not sufficiently earthed.
- Sealing rings are not fitted.
- Sealing surfaces are being painted.
- The lubricant has not been correctly put in (see section 4).
- The back clearance of the parallel key has not been filled with sealing compound (when inserting the set screw no sealing compound has been put into the threaded hole).
- The coupling guard used is not suitable.

5.2.3 Frequent faults in maintenance

- Maintenance intervals are not being adhered to.
- No genuine ZAPEX spare parts are being used.
- Old or damaged ZAPEX spare parts are being used.
- Leakage in the vicinity of the coupling is not being identified and as a result chemically aggressive media are damaging the coupling.
- Fault indications (noise, vibrations, etc.) are not being observed.
- Specified tightening torques are not being adhered to.
- Alignment and/or shaft-misalignment values do not match the specifications in the instructions manual.

6. Maintenance and repair

6.1 General

The coupling must be checked for leaks and heating, and any change in the noise level, at general maintenance intervals or at least every three months.

The coupling must run with little noise and without vibration in all operating phases. Irregular behaviour must be treated as a fault requiring immediate remedy.

6.2 Changing grease

During the regular inspections the coupling must be checked for leaks.



If the grease filling quantity is not in accordance with the specified quantity, the coupling may become an explosion hazard.

Change lubricant:

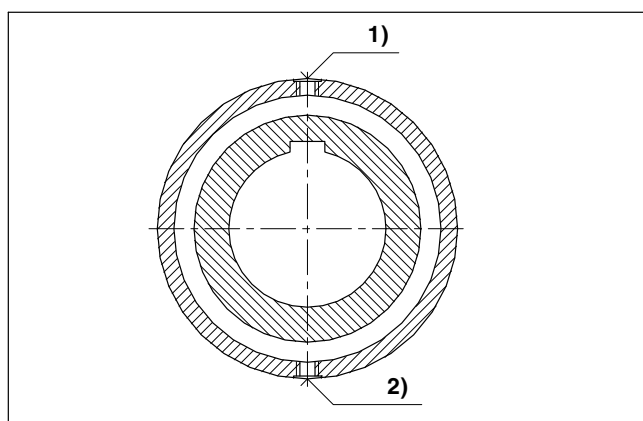
- When used at max. 70 °C: after approx. 8000 operating hours, at the latest after 2 years.
- When used at temperature above 70 °C: after approx. 3000 operating hours, at the latest after 1 year.

When changing lubricant of the same type, the quantity of lubricant remaining in the coupling should be kept as low as possible. Generally speaking, a small residual quantity will cause no particular problems. Lubricants of different types and manufacturers must not be mixed together. If necessary, confirmation that the new lubricant is compatible with residues of the old lubricant should be obtained from the manufacturer.

Unscrew screw plugs (6) and drain off the grease into a suitable vessel, as shown in the diagram. To facilitate the process, add low-viscosity oil to the used grease and mix. **Observe compatibility of the oil with the grease!**



All the grease must be completely collected and disposed of in accordance with the regulations applying.



- 1) Venting hole
- 2) Drain hole

Fig. 9: Changing grease

Fill with grease (see section 4).

6.3 Replacing O-rings

The grease must be drained off as described in item 6.2.

The O-rings (12) can be replaced with open-ended (cut) O-rings (12), while adhering to dimensions "Q" and "P" (see section 1 "Technical Data"), without having to move the machines to be connected.

For this, undo the screw connection (8; 9) of the flanged sleeves (5) or coupling parts 3 (3) and push the flanged sleeves (5) off the teeth and far enough off the hub for the O-rings (12) to be able to be removed.

Clean sealing compound off the flanged sleeves (5) or coupling parts 3 (3).

Cut the new O-ring (12) through radially at one point, place it over the hub and glue the cut ends exactly together. Adhesive e.g. LOCTITE 401.

Then place the cut section into the groove and, working from there, insert the O-ring (12) from both sides.

Smear the sealing surfaces of the flanged sleeves (5) or coupling part (3) with sealing compound and bolt them together (for tightening torques, see section 3, item 3.12).

Fill with grease (see section 4).

6.4 Demounting the coupling

The grease must be drained off as described in item 6.2.

Retain the floating shaft (4) with the fitted coupling parts 1 (1) and the flanged sleeves (5) using suitable lifting gear, loosen the fitting-bolt connection (8; 9) on both sides and remove the assembly.

The flanged sleeves (5) must be pushed off the teeth and supported above the floating shaft (4) behind the coupling parts 1 (1).

Examine the teeth, the sealings (12) and the sealing surfaces for damage. Damaged parts must be replaced.

For re-assembly, the instructions in sections 3 and 4 must be observed.

6.5 Demounting the coupling parts (1; 3) in case of shaft-hub connection with parallel key

Remove the axial fastening (set screw, end plate). Mount a suitable detaching device. Using a burner, heat coupling part (1; 3) along its length and above the parallel keyway (max. + 80 °C).



Burner an heated coupling parts form an explosion hazard, therefor there must not be an explosible atmosphere when fitting the coupling parts.

Pull the coupling part off. Examine the teeth, the sealing surfaces, the hub bore and the shaft for damage and protect against rust. Damaged parts must be replaced.

For re-assembly, the instructions in sections 3 and 4 must be observed.

6.6 Demounting the coupling parts (1; 3) in case of cylindrical and tapered interference fit set up for oil-hydraulic shrinking-off

For demounting the following tools are needed:

- For each oil channel (for number, see the dimensioned drawing) an oil pump with pressure gauge (min. 2 500 bar) or a motor pump with corresponding number of independently closable connections. In case of coupling parts (1; 3) with stepped bore, a motor-driven pump must be connected up to the oil channel located at the point of transition from the smaller bore to the larger, as a large quantity of oil per unit of time is needed here.
- Suitable connections and pipes.
- 1 detaching device or retaining plate with retaining screws or threaded spindles with nuts (material of screws and spindles min. 10.9, material of nuts identical to that of the screws).
- 1 hydraulic cylinder with oil pump. Note displacement and pressure of the hydraulic cylinder (for axial force, consult Flender or refer to the dimensioned drawing).



Observe manufacturer's instructions for using the detaching device and pumps.

Before detaching the coupling part (1; 3) the detaching device must be fitted as shown in the figure.

6.6.1 Demounting the coupling parts (1; 3) in case of cylindrical interference fit

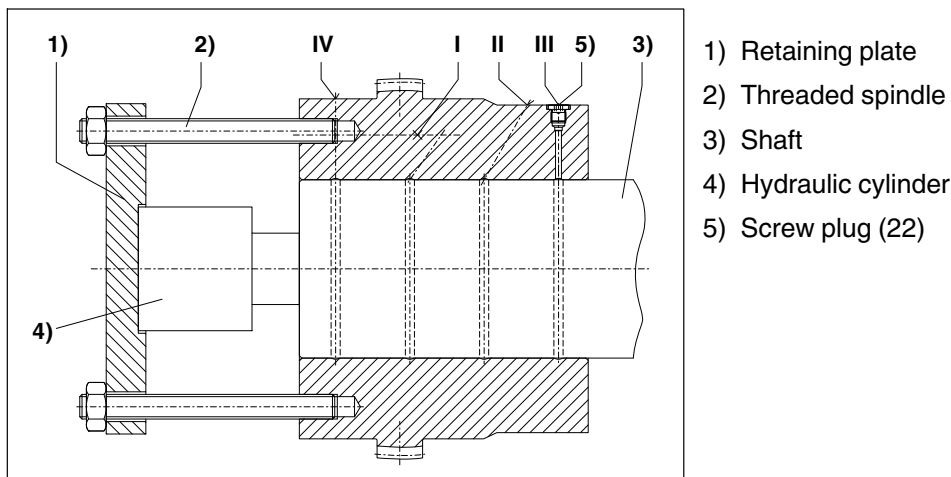


Fig. 10: Demounting the coupling parts (1; 3) in case of cylindrical interference fit



Secure coupling part (1; 3) and detaching device, using suitable equipment!

The screw plugs (22) must be removed from the oil channels. An oil pump must be bled and connected up to the middle oil channel (here oil channel I).

Then the pump must be operated at the pressure specified on the dimensioned drawing until oil emerges from the adjacent connections (oil channels IV and II).



The max. pressure specified on the dimensioned drawing must not be exceeded. During the entire operation the pressure must be maintained at a constant level on all the oil channels to which pressure is applied.

Bleed the next oil pump, connect it to oil channel II and operate it at the pressure specified on the dimensioned drawing until the oil emerges at oil channel III.

Bleed the next oil pump, connect it to oil channel IV and operate it at the pressure specified on the dimensioned drawing until a ring of oil emerges at the end face.

Bleed the next oil pump, connect it up to oil channel III and operate it at the pressure specified on the dimensioned drawing until a ring of oil emerges at the end face.

If, when pressure is applied, oil emerges to the extent that pressure cannot be maintained, a thicker oil must be specified.

Only when an unbroken ring of oil emerges from both end faces can pressure be applied to the hydraulic cylinder to slide the coupling part (1; 3) smartly off the shaft.

All the oil must be completely collected and disposed of in accordance with the regulations applying.



Note stroke of hydraulic cylinder. If re-adjustment is necessary, the end face of the hydraulic cylinder must stop between 2 oil channels.

After detaching, the oil pumps and the detaching device must be removed from the coupling part (1; 3).

Examine the teeth, the sealing surfaces, the hub bore and the shaft for damage and protect against rust. Damaged parts must be replaced.

For re-assembly, the instructions in sections 3 and 4 must be observed.

6.6.2 Demounting the coupling parts (1; 3) in case of tapered interference fit

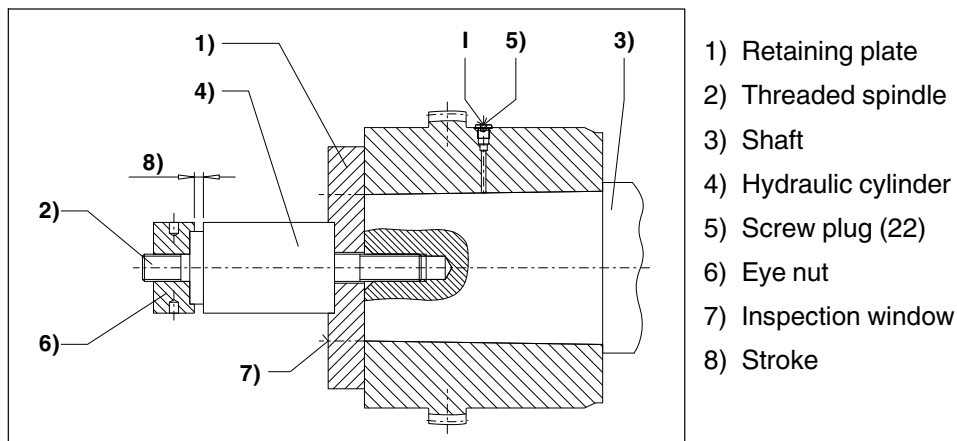


Fig. 11: Demounting the coupling parts (1; 3) in case of tapered interference fit



Secure coupling part (1; 3) and detaching device, using suitable equipment! To prevent the coupling part (1; 3) from suddenly coming off, it must be secured axially (as shown in figure 11).

The screw plugs (22) must be removed from the oil channels.

Sufficient pressure must be applied to the hydraulic cylinder for it to generate at least the axial force specified on the dimensioned drawing.

The oil pump must be bled, connected up to oil channel I and operated at the pressure indicated on the dimensioned drawing until a ring of oil emerges at the end face or from the adjacent connection.



The maximum pressure specified on the dimensioned drawing must not be exceeded.

If, when pressure is applied, oil emerges to the extent that pressure cannot be maintained, a thicker oil must be specified.

The pressure must be maintained until a ring of oil emerges at both end faces. This must be monitored through the inspection window at the side of the detaching device.

All the oil must be completely collected and disposed of in accordance with the regulations applying.

Only when an unbroken ring of oil emerges from both end faces can the hydraulic cylinder be bled. The coupling part (1; 3) slides off the shaft until there is no adhesion between the coupling part (1; 3) and the shaft.

Detach the oil pump and detaching device. Remove coupling part (1; 3).

Examine the teeth, the sealing surfaces, the hub bore and the shaft for damage and protect against rust. Damaged parts must be replaced.

For re-assembly, the instructions in sections 3 and 4 must be observed.

7. Stocking spare parts

7.1 Spare parts

For ordering spare parts state the following data, as far as possible:

- Flender order number and position
- Drawing number
- Coupling type and coupling size
- Part number (see spare-parts list)
- Bore, bore tolerance, keyway and balancing as well as particular characteristics such as flange-connection dimensions, floating-shaft length, brake-drum dimensions.
- Any special details such as temperature, electrically insulating.

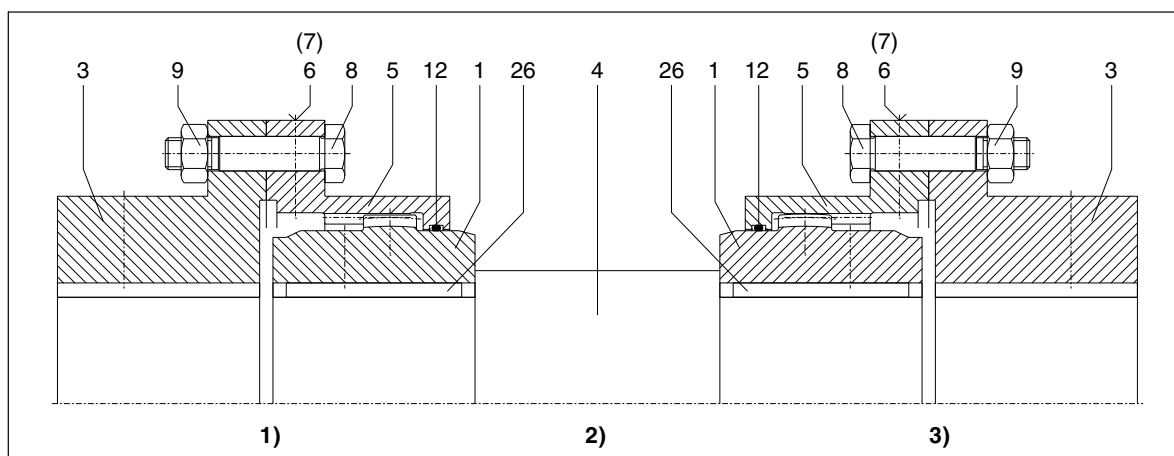


Fig. 12: Spare-parts drawing

1) Coupling 1

2) floating shaft

3) Coupling 2

Table 9: Spare-parts list

Part number	Designation	Part number	Designation
1	Coupling part 1	8	Close-fitting bolt
3	Coupling part 3	9	Hexagon nut
4	Floating shaft	12	O-ring
5	Flanged sleeve	22	Screw plug 2)
6	Screw plug	26	Parallel key
7	Sealing ring 1)	50	Sealing compound

1) The sealing ring (7) is provided only on size 83. On the other sizes the sealing ring is integrated into the screw plug (6).

2) The screw plugs (22) are used only with an hydraulic interference fit (see section 6, items 6.6.1 and 6.6.2).

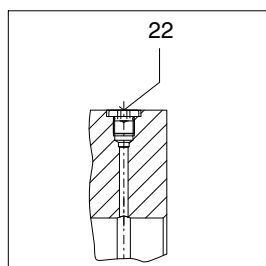


Fig. 13: Screw plug

8. Declarations

8.1 EU declaration of conformity

EU declaration of conformity

Product:

FLENDER ZAPEX®
Couplings
Types ZNW

Name and address of the manufacturer:

Flender GmbH
Schlavenhorst 100
46395 Bocholt
Deutschland – Germany

This declaration of conformity is issued under the sole responsibility of the manufacturer.

Object of the declaration is the product specified above.

The object of the declaration described above is in conformity with the relevant harmonisation legislation of the Union:

– Directive 2014/34/EU Official Journal L 96, 29.3.2014, pages 309-356

Harmonised standards or other technical specifications, on which the declaration of conformity is based:

EN 1127-1 : 2011
EN ISO 80079-36 : 2016
EN ISO 80079-37 : 2016
EN ISO 80079-38 : 2017

The notified body, DEKRA EXAM GmbH, code number 0158, has received the technical documentation.

Signed for and on behalf of:
Flender GmbH



Bocholt, 2019-01-01

Dr. Tim Sadek, Vice President, Applications Couplings

FLENDER COUPLINGS

ZAPEX

Operating instructions 3561 en

Edition 01/2019

[Flender GmbH](#)

Alfred-Flender-Straße 77

46395 Bocholt

GERMANY